

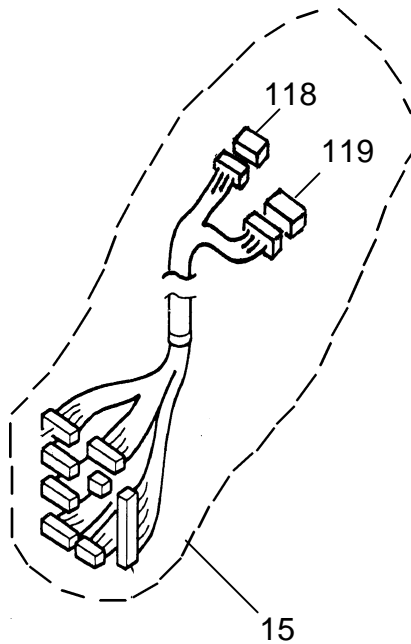
Model: SP5/SP5L LCT		Date: 15-Mar-99	No.: MA698001
Modified Article: Relay Connector for the Main Frame		Prepared by: A. Sasaki	
From: Technical Service Dept., GTS Division			
Reason for Modification:	<input checked="" type="checkbox"/> Parts catalog correction	<input type="checkbox"/> Vendor change	<input type="checkbox"/> To meet standards ( )
	<input type="checkbox"/> To facilitate assembly	<input type="checkbox"/> To improve reliability	
	<input type="checkbox"/> Part standardization	<input type="checkbox"/> Other	

Please add the following parts to your parts catalog.

Old part number	New part number	Description	Q'ty	Int	Page	Index	Note
	1102 6257	Relay Connector – 14P	1		11	118	*1
	1102 6258	Relay Connector – 15P	1		11	119	*1

\*1: New index

### 5. Electrical Section (A698)



Reissued: 12-Apr-00

Model: SP5/SP5L/Mojito LCT	Date: 15-Jul-99	No.: MA698002a
----------------------------	-----------------	----------------

### MB Correction

The items in bold italics have been corrected or added.

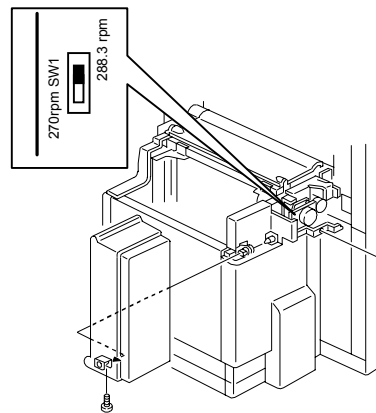
Modified Article: Main Motor Ass'y		Prepared by: A. Sasaki	
From: GTS and S Field Information Dept.			
Reason for Modification:	<input type="checkbox"/> Parts catalog correction	<input type="checkbox"/> Vendor change	<input type="checkbox"/> To meet standards ( )
	<input type="checkbox"/> To facilitate assembly	<input type="checkbox"/> To improve reliability	
	<input checked="" type="checkbox"/> Part standardization	<input type="checkbox"/> Other	

Old part number	New part number	Description	Q'ty	Int	Page	Index	Note
AX06 0152	AX06 0203	Main Motor Ass'y	1	O/O	7	16	

**To allow this LCT (RT37) to be installed on a new model (Mojito A292/A293), the motor has been changed because the A292/A293 model has a faster process speed.**

**The new motor can be used on both models, A229 and A292/A293, but the DIP switch has to be changed to the upper position (288.3 rpm) as shown when the RT37 is installed on the A292/A293. The factory setting is the lower position.**

**A292/293: Upper position**  
**A229: Lower position (factory setting)**



MODEL NAME	V/ Hz	DESTINATION	JAPAN PRODUCTION		REI PRODUCTION
			CODE	SERIAL NO.	SERIAL NO.
Savin RT37 Gestetner RT37	120 / 60	USA, Canada, South America	A698-10		2B59510001
Ricoh RT37	120 / 60	USA, Canada, South America	A698-17	A7919120001	A7919510001
Gestetner RT37 Nashuatec RT37 Rex Rotary RT37	220-240/ 50, 60	Europe, etc.	A698-22	AS99090091	
Infotec RT37	220-240/ 50, 60	Europe, etc.	A698-26	3R41090001	
Ricoh RT37	220-240/ 50, 60	Europe, etc.	A698-27	A7919100001	
Lanier RT37	120/ 60	USA, Canada, South America	A698-55	L0359100001	
Lanier RT37	220-240/ 50, 60	Europe	A698-65	L0359100161	

Model: SP5/SP5L/Mojito LCT		Date: 28-Sep-01	No.: MA698003
Modified Article: End Fence		Prepared by: F. Noguchi	
From: Technical Services Dept., GTS Division			
Reason for Modification:	<input checked="" type="checkbox"/> Parts catalog correction	<input type="checkbox"/> Vendor change	<input type="checkbox"/> To meet standards ( )
	<input type="checkbox"/> To facilitate assembly	<input type="checkbox"/> To improve reliability	
	<input type="checkbox"/> Part standardization	<input type="checkbox"/> Other	

The End Fence has been changed due to parts standardization with other models.

Old part number	New part number	Description	Q'ty	Int	Page	Index	Note
A3801234	A6981234	End Fence	1	O/O	3	11	

Model: SP5 LCT		Date: 28-Jun-02	No.: MA698004
Modified Article: Separation Torque Limiter		Prepared by: Y.Urushihara	
From: Technical Services sec. Service Planning Dept.			
Reason for Modification:	<input type="checkbox"/> Parts catalog correction	<input type="checkbox"/> Vendor change	<input type="checkbox"/> To meet standards (      )
	<input type="checkbox"/> To facilitate assembly	<input type="checkbox"/> To improve reliability	
	<input checked="" type="checkbox"/> Part standardization	<input type="checkbox"/> Other	

The following has been changed due to parts standardization with the Penguin.

Old part number	New part number	Description	Q'ty	Int	Page	Index	Note
A0976000	A2472900	Separation Torque Limiter	1	O/O	9	5	

Model: LCT for SP5/Mojito		Date: 07-Apr-03	No.: MA698005
Modified Article: Safety Switch Cover		Prepared by: F.Noguchi	
From: 2nd Tech. Support Sec. Service Support Dept.			
Reason for Modification:	<input type="checkbox"/> Parts catalog correction <input type="checkbox"/> To facilitate assembly <input type="checkbox"/> Part standardization	<input type="checkbox"/> Vendor change <input checked="" type="checkbox"/> To improve reliability <input type="checkbox"/> Other	<input type="checkbox"/> To meet standards (      )

To improve the detection performance of the micro switch, the shape of the safety switch cover has been changed.

**Note:** This P/N change has been applied to the Mojito-C1/C2 Parts Catalog.

Old part number	New part number	Description	Q'ty	Int	Page	Index	Note
A3801357	A6981357	Safety Switch Cover	1 - 1	X/O	11	11	

MODEL NAME	BRAND	V/Hz	DESTINATION	CODE	SERIAL NO.	
					Japan Production	REISERIAL NO.
RT37	Savin Gestetner	120/60	USA, Canada, S. America	A698-10		
RT37	Ricoh	120/60	USA, Canada, S. America	A698-17		
RT37	Gestetner Nashuatec Rex Rotary	220-240/50, 60	Europe, Asia, Oceania, etc	A698-22	AS90060001	
RT37	Infotec	220-240/50, 60	Europe	A698-26	3R40600001	
RT37	Ricoh	220-240/50, 60	Europe, Asia, Oceania, etc	A698-27	A7910050376	
RT37	Lanier	120/60	USA, Canada, S. America	A698-55	L0350070001	
RT37	Lanier	220-240/50, 60	Europe	A698-65	L0350060001	

Model: LCT for SP5/Mojito		Date: 07-Apr-03	No.: MA698006
Modified Article: Left Bracket/ Relay Harness		Prepared by: F. Noguchi	
From: 2nd Tech. Support Sec. Service Support Dept.			
Reason for Modification:	<input checked="" type="checkbox"/> Parts catalog correction	<input type="checkbox"/> Vendor change	<input type="checkbox"/> To meet standards ( )
	<input type="checkbox"/> To facilitate assembly	<input type="checkbox"/> To improve reliability	
	<input type="checkbox"/> Part standardization	<input type="checkbox"/> Other	

The following parts have been modified to support the 8 1/2 x 14 Paper Size Tray (B375) on the Mojito.

Old part number	New part number	Description	Q'ty	Int	Page	Index	Note
A3801352		Left Bracket (LT)	1 - 1	X/O	13	3	
	A6981352	Left Bracket (A4)					
A3805605	A6985605	Relay Harness – Paper Tray	1 - 1	X/O	13	6	

MODEL NAME	BRAND	V/Hz	DESTINATION	CODE	SERIAL NO.	
					Japan Production	REISERIAL NO.
RT37	Savin Gestetner	120/60	USA, Canada, S. America	A698-10	/	
RT37	Ricoh	120/60	USA, Canada, S. America	A698-17	/	
RT37	Gestetner Nashuatec Rex Rotary	220-240/50, 60	Europe, Asia, Oceania, etc	A698-22	AS90040001	/
RT37	Infotec	220-240/50, 60	Europe	A698-26	3R40400001	/
RT37	Ricoh	220-240/50, 60	Europe, Asia, Oceania, etc	A698-27	A7910040001	/
RT37	Lanier	120/60	USA, Canada, S. America	A698-55	L0350070001	/
RT37	Lanier	220-240/50, 60	Europe	A698-65	L0350040001	/

Model: LCT for SP5/Mojito-C1	Date: 12-Feb-04	No.: MA698007
------------------------------	-----------------	---------------

Modified Article: Separation Torque Limiter		Prepared by: F.Noguchi	
From: 2nd Tech. Support Sec. Service Support Dept.			
Reason for Modification:	<input type="checkbox"/> Parts catalog correction	<input type="checkbox"/> Vendor change	<input type="checkbox"/> To meet standards ( )
	<input type="checkbox"/> To facilitate assembly	<input type="checkbox"/> To improve reliability	
	<input checked="" type="checkbox"/> Part standardization	<input type="checkbox"/> Other	

The following has been changed due to parts standardization with the Martini.

Old part number	New part number	Description	Q'ty	Int	Page	Index	Note
A2472900		Separation Torque Limiter	1 - 1	O/O	9	5	
	B0656399	Torque Limiter					

Model: LCT for SP5/Mojito-C1	Date: 17-Jun-04	No.: MA698008
------------------------------	-----------------	---------------

Modified Article: Separation Torque Limiter		Prepared by: F.Noguchi	
From: 2nd Tech. Support Sec. Service Support Dept.			
Reason for Modification:	<input type="checkbox"/> Parts catalog correction	<input type="checkbox"/> Vendor change	<input type="checkbox"/> To meet standards ( )
	<input type="checkbox"/> To facilitate assembly	<input type="checkbox"/> To improve reliability	
	<input checked="" type="checkbox"/> Part standardization	<input type="checkbox"/> Other	

The following has been changed due to parts standardization.

Old part number	New part number	Description	Q'ty	Int	Page	Index	Note
B0656399		Torque Limiter	1 - 1	O/O	9	5	
	A2946700	Torque Limiter - 53MNXM					